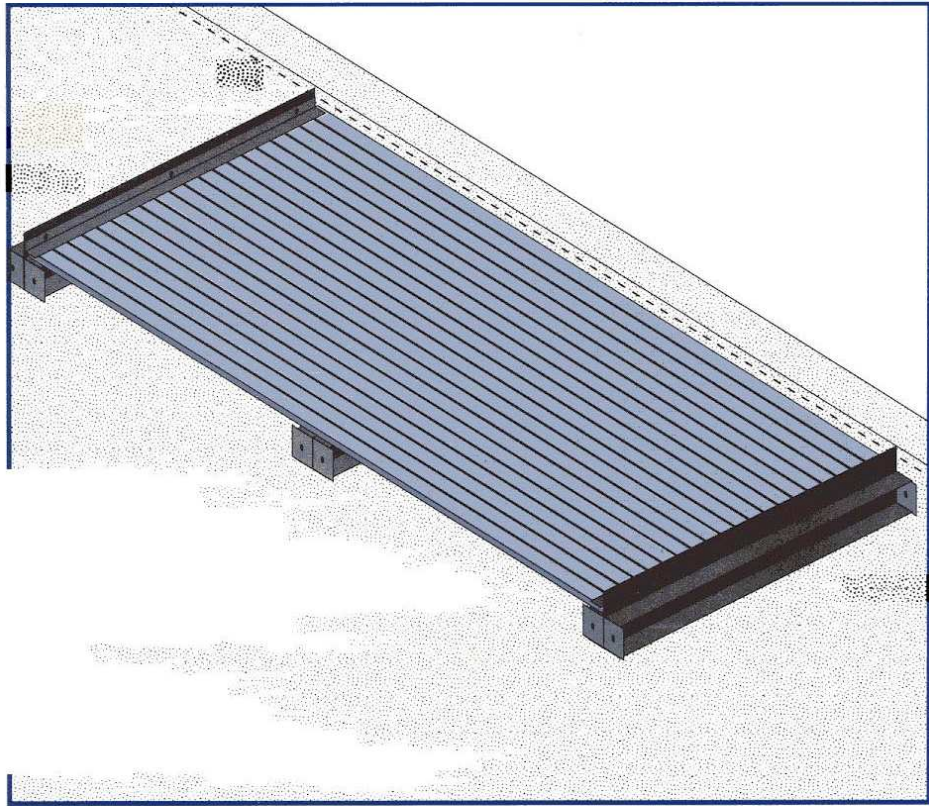


FLIGHT DEKS

BY
EPIC INTERNATIONAL



INSTALLATION INSTRUCTIONS

Environmental Products for Innovative Conservation

Installation Instructions...

1

QTY	CODE	PART
—	A.	Main support beams
—	B.	Intermediate support beams
—	C.	"U" channels (3.25")
—	D.	"U" channels (1.75")
—	E.	Clip angles (4" x 4")
—	F.	Channel hold down angle
—	G.	3/8" stainless steel anchor bolts
—	H.	Stainless steel bolts, nuts, and washers

1. Strike chalk lines from the top of the screw pump through walls parallel to the angle of incline of the screw pump. The chalk line should represent the top of the "U" channels that make up the screw pump cover.

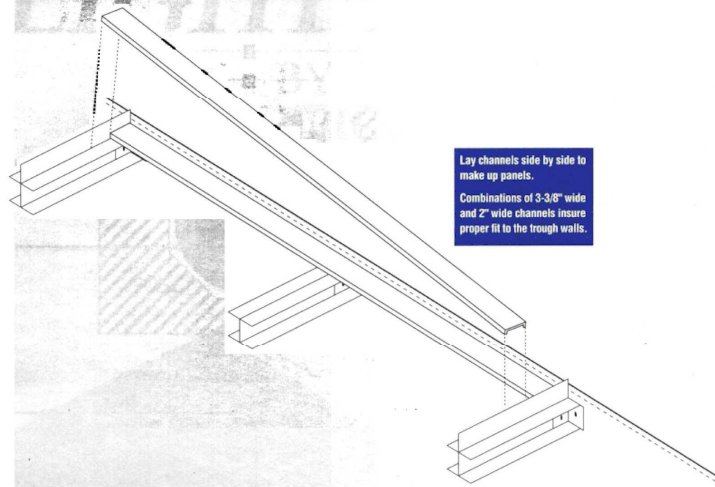
Starting at the leading end of the flights, begin by installing the first main transverse support beams to the trough walls with the supplied stainless steel concrete anchor bolts. Each beam end will have one clip angle attached to each side of the support beam. There are four clip angles per support beam.

2

2. Measure five feet up from the center line (CL) of the first main beam and locate the intermediate beam. Locate the CL of the second transverse beam and secure to the inside wall of the trough with the stainless steel anchor bolts in the same manner as the first main beam. From the CL of the second beam measure another five feet and mark this as the CL of the next beam. Attach the subsequent beams in the same manner as the previous beams with the stainless steel anchor bolts supplied.

for EPIC Flight Deks

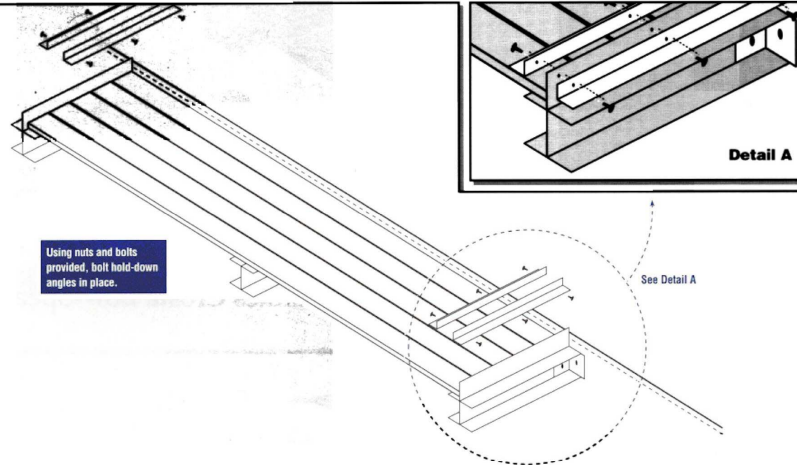
3



Lay channels side by side to make up panels.
Combinations of 3-3/8" wide and 2" wide channels insure proper fit to the trough walls.

3. The individual "U" shaped channels can now be installed to form a panel. The completed full panel should be ten feet long. The length of the uppermost panel shall be as required to cover the screw pumps' flights.

4



Using nuts and bolts provided, bolt hold-down angles in place.

Detail A

See Detail A

4. Install two hold down angles, one on each end of the completed panel, to secure the "U" shaped channels. These angles are bolted to a section that extends above the main support beams as they are assembled. These two hold-down angles may be removed to allow partial or complete access to the screw pump without the removal of the support beams.

Continue attaching the remaining transverse beams and installing the individual "U" channels until the flights of the screw pump are covered.

Flight Dek Dimensions...

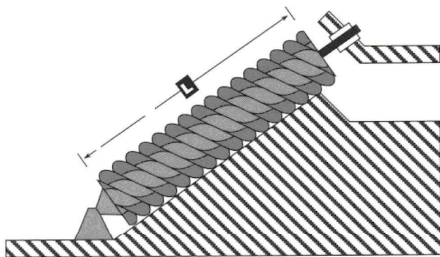
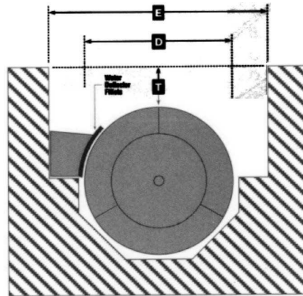
Screw Pump Trough Dimensions

E _____

D _____

T _____

L _____



PROJECT
CUSTOMER

Other EPIC products ...

- EPIC Screw Pumps
- EPIC Floating Mixers
- EPIC Floating Aerators
- Biwater / Ames Crosta Low-Speed Aerators

EPIC INTERNATIONAL, INC.

10993 Richardson Road
Ashland, Virginia 23005 USA

Phone: (804) 798-3939
Fax: (804) 798-9175

Environmental Products for Innovative Conservation